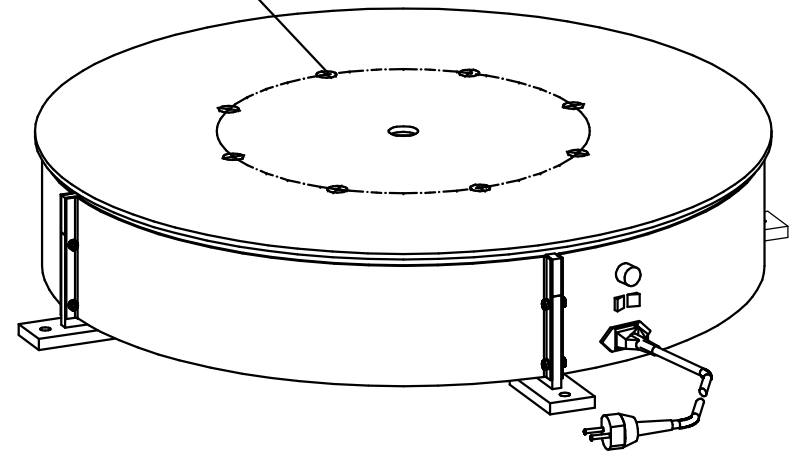


countersunk-head screws M8x25



cable bushing for current  
pick-up 230V / 50Hz

turntable model DSK 075

Bumat Bewegungssysteme GmbH  
Pfälzer Ring 30  
D-68766 Hockenheim

Tel.: +49 (0) 6205.9413-30  
Fax: +49 (0) 6205.9413-55  
info@bumat.com  
www.bumat.com

